



ALTA • AQUA

Crafting the Perfect Shower Experience,
One Drop at a Time!



REV 1.02



Crafting the Perfect Shower Experience, One Drop at a Time!

About Alta Aqua...

With over 30 years of experience in the manufacturing industry, we have perfected the art of delivering innovative and high-quality bathroom products designed to serve the remodeling and showroom market. Our journey began with a vision to combine years of experience in manufacturing plumbing products with a deep understanding of the construction market and bathroom remodeling industry needs, providing customers with reliable, and stylish decorative plumbing products.

We pride ourselves on our deep understanding of the market and our commitment to excellence. Every product in our lineup reflects decades of expertise, rigorous testing, and a passion for craftsmanship.

At Alta-Aqua, customer satisfaction is our top priority. Whether you're a retailer or wholesaler, we're dedicated to offering personalized service, timely delivery, and exceptional value.

Let us bring quality and innovation to your bathroom project!

INDEX

BASICS COLLECTION

Pressure Balance Valve with Round Trim Kit 5

ESSENTIAL COLLECTION

6" Shower Head and Valve Combo 7

Magnetic Shower Combo Without Valve Kit 9

ADVANCED COLLECTION

10" Shower Head Combo Without Valve Kit 11

ULTIMATE COLLECTION

12" Shower Head Twist Valve Shower Combo 13

12" Shower Head Push Button Shower Combo 15

LIFESTYLE COLLECTION

Hanging 2 Sided Shower Niche 17

Recessed Stainless Steel Shower Niches 19

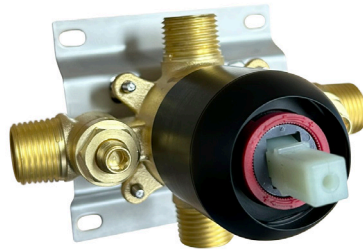
WARRANTY 21





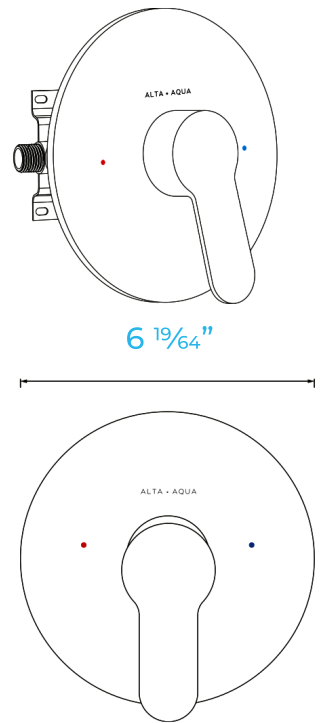
Our pressure balance valve delivers a contemporary look with its premium solid brass construction, offering long-lasting durability and resistance to corrosion.

Designed for both safety and comfort, it maintains consistent water temperature, preventing sudden changes due to fluctuations in water pressure.



ROUGH IN VALVE

DIMENSIONS



FEATURES

- cUPC brass pressure balance valve.
- Anti-Scalding pressure balance ceramic cartridge.
- Complete trim kit with premium finish.
- Control flow and temperature.
- Tub spout connection option allows installation of a shower head and a tub spout to the valve.*
- Perfect complement to our Magnetic Shower combo and our Advanced shower combo.
- Available in matte black, chrome and brushed nickel finish.

* Shower head and tub spout are not included. Tub spout must have an integrated diverter. Tub spout connection tapped.



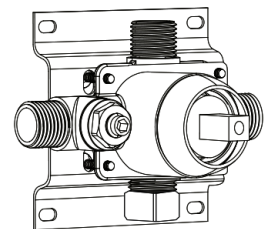
Matte black
AA-SH-MG-R-HS-6-MB



Chrome
AA-SH-MG-R-HS-6-CP



Brushed nickel
AA-SH-MG-R-HS-6-BN

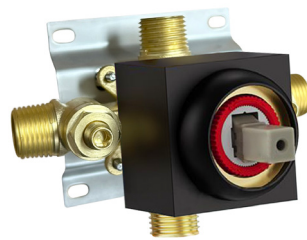






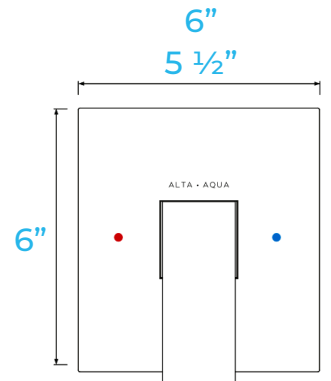
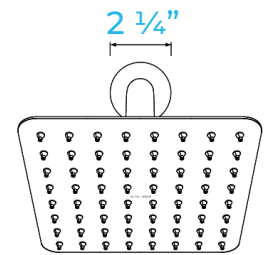
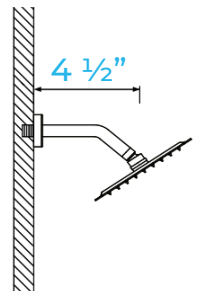
The sleek, high-quality 6" stainless steel shower head offers a modern aesthetic that complements any bathroom decor.

Featuring an intuitive, precision-engineered pressure balance valve, you'll enjoy effortless control over water temperature and flow, ensuring a customized experience every time.



ROUGH IN VALVE

DIMENSIONS



FEATURES

- cUPC 1/2" NPT brass pressure balance valve.
- 6" stainless steel shower head.
- Shower head with air injection technology for higher water pressure.
- Easy to clean silicone nozzle.
- 1/2 " NPT 4 1/2" shower arm and escutcheon included.
- Ultra-thin brass valve trim.
- Available in matte black, chrome and brushed nickel finish.
- Capped tub spout outlet.



Matte black
AA-SH-K-PBV-6-MB



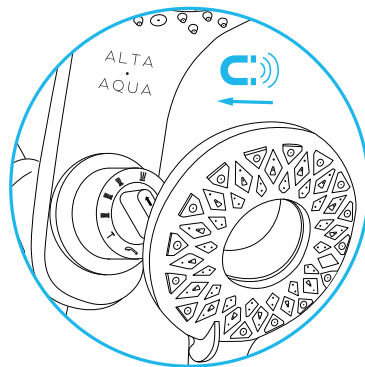
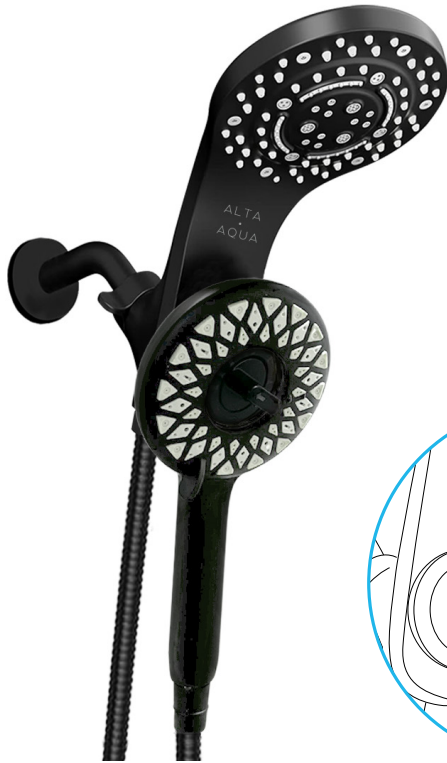
Chrome
AA-SH-K-PBV-6-CP



Brushed nickel
AA-SH-K-PBV-6-BN



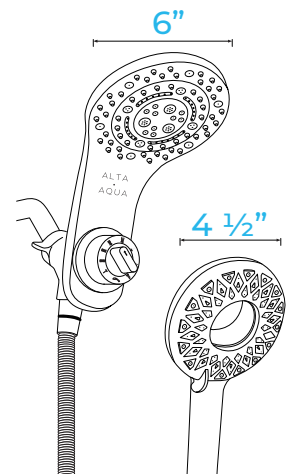
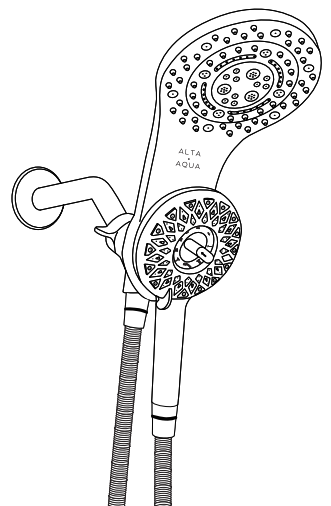




Crafted with a sleek, modern design and durable materials, this shower head combines functionality with easy installation, making it the perfect DIY project for any bathroom.

The powerful magnetic docking system ensures a secure hold while allowing for easy, one-handed detachment, perfect for added flexibility during your shower routine.

DIMENSIONS



FEATURES

- Strong magnetic hand shower holder.
- Easily retrofit to most existing shower, no plumbing required.
- Air injection technology for higher water pressure.
- 8+1 shower head functions, including a trickle setting for water savings.
- 1/2 " NPT 4" shower arm and escutcheon included.
- Available in matte black, chrome and brushed nickel finish.
- Valve not included. Shower combo can be paired with our Basics Pressure Balance Valve or virtually any existing valve on the market.



Matte black
AA-SH-MG-R-HS-6-V2-MB



Chrome
AA-SH-MG-R-HS-6-V2-CP



Brushed nickel
AA-SH-MG-R-HS-6-V2-BN







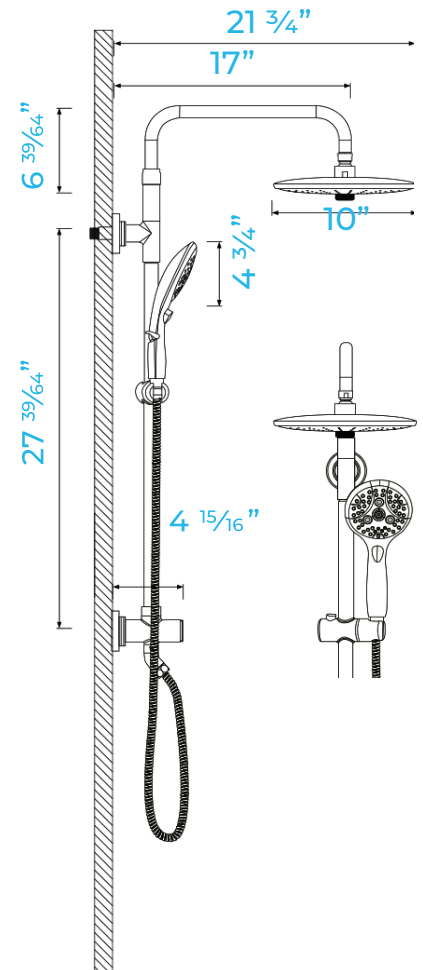
This innovative set includes a multi-function 10" wide rainfall shower head and a sleek, ergonomically designed and water-saving function hand shower, allowing you to seamlessly switch between full-body indulgence and targeted precision.

Easy to assemble and install, the Advanced Shower combo offers an elevated, spa-like escape that brings beauty and functionality to your daily routine.

FEATURES

- 10" shower head with 3 functions (massage, rain, full body spray).
- Full brass unit with ABS hand shower and shower head.
- Conveniently located lower diverter with push button.
- 71" long stainless steel hose.
- Easy to install and perfect for DIY projects : no plumbing necessary and drill-free installation.
- Height adjustment and pivoting shower arm.
- 6-function hand shower with back lever option for water savings.
- Available in matte black, chrome and brushed nickel finish.
- Valve not included. Shower combo can be paired with our Basics Pressure Balance Valve or virtually any existing valve on the market.

DIMENSIONS



Matte black
AA-SH-R-HS-10-MB



Chrome
AA-SH-R-HS-10-CP



Brushed nickel
AA-SH-R-HS-10-BN

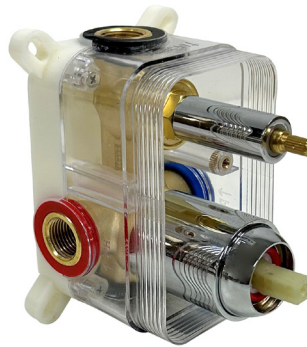






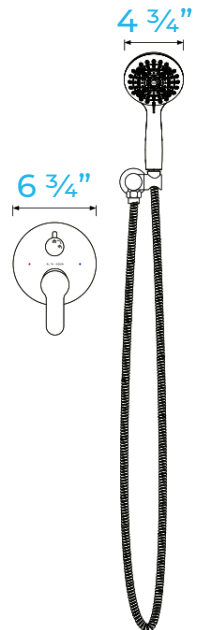
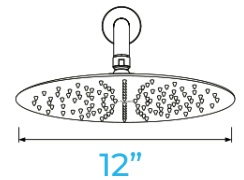
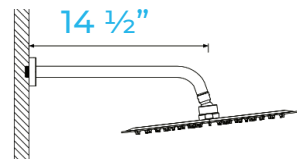
This premium set features a wide-coverage 12" rainfall shower head for an immersive, soothing experience, complemented by a versatile hand shower for added flexibility and convenience.

With a brass valve body with stainless steel trim kit, this shower combo elevates any bathroom aesthetic while providing durability and long-lasting performance.



ROUGH IN VALVE

DIMENSIONS



FEATURES

- cUPC 1/2" NPT brass pressure balance valve with 2-way diverter
- 12" stainless steel shower head.
- Share 2 functions at the same time.
- 6-function hand shower including trickle option for water savings.
- 71" long stainless steel hose.
- Available in matte black, chrome and brushed nickel finish.



Matte black
AA-SH-R-PBVD-HS-12-MB



Chrome
AA-SH-R-PBVD-HS-12-CP



Brushed nickel
AA-SH-R-PBVD-HS-12-BN







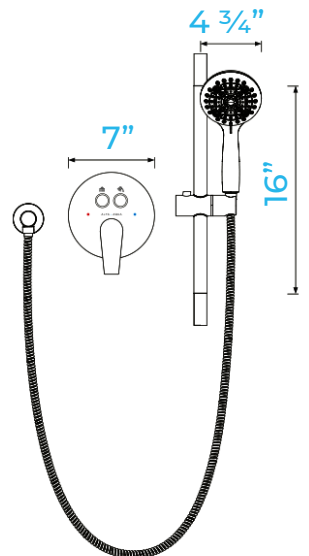
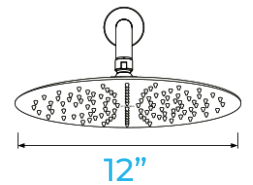
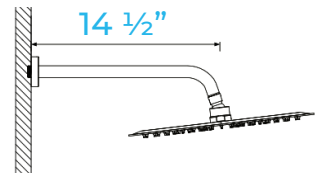
This all-in-one system features a 12" wide rainfall shower head, delivering a rejuvenating, full-body cascade, and a versatile hand shower for precision control and flexibility.

The Ultimate Shower Combo with push button diverter adds an elegant touch to any bathroom and the integrated push-on diverter makes switching between the two effortless with a single, gentle push.



ROUGH IN VALVE

DIMENSIONS



FEATURES

- cUPC 1/2" NPT brass pressure balance valve with 2-way diverter
- 12" stainless steel shower head.
- Share 2 functions at the same time.
- 6-function hand shower including trickle option for water savings.
- 71" long stainless steel hose.
- Modern and practical push button diverter.
- Available in matte black, chrome and brushed nickel finish.



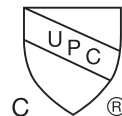
Matte black
AA-SH-R-PBVD-P-HS-12-MB



Chrome
AA-SH-R-PBVD-P-HS-12-CP



Brushed nickel
AA-SH-R-PBVD-P-HS-12-BN



ALTA · AQUA



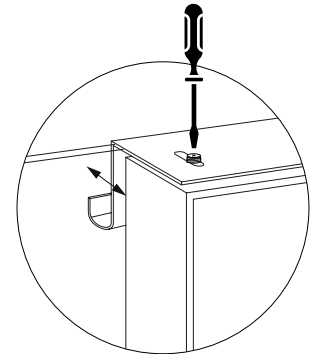
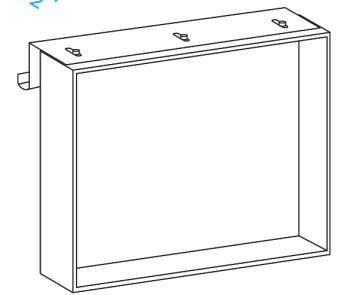
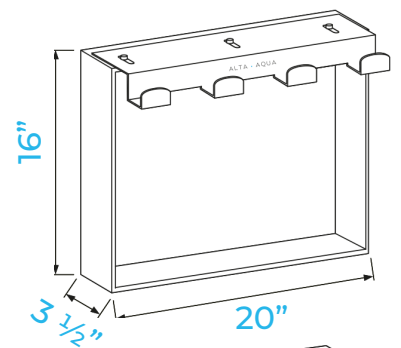


Made of durable and lightweight stainless steel, this niche easily installs and adjusts on virtually any glass shower wall, without damaging your walls.

The niche can be installed with the shelf inside the shower for easy access to shampoo and other essentials. Alternatively, place the hooks inside the shower to hang sponges and wash cloths, while the shelf on the outside holds perfumes and creams!



DIMENSIONS



ADJUSTABLE FOR DIFFERENT GLASS WALL THICKNESS

FEATURES

- Size : 20" x 16" x 3".
- Type of installation : Hanging niche.
- Drill-less installation.
- Durable lightweight 304 stainless steel.
- 2 sided : 4 hooks on one side, space-saving shelf on the other side.
- Available in matte black and matte white finish.



Matte black
AA-NI-HN-RC-HK-20X16-MB



Matte white
AA-NI-HN-RC-HK-20X16-MW



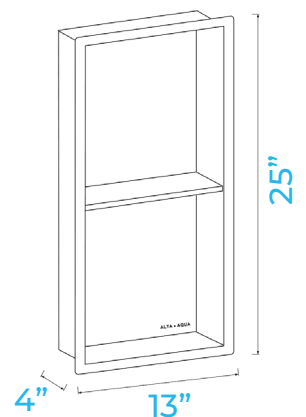
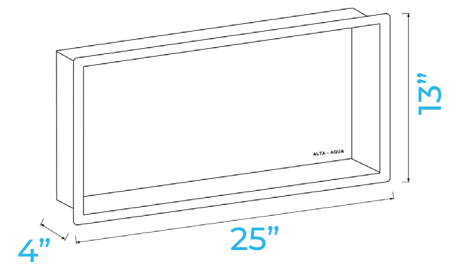
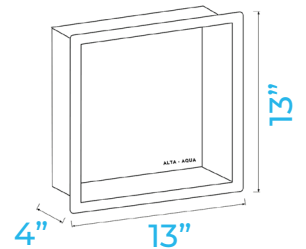




The recessed niches provide convenient storage for your essentials while maintaining an elegant, clutter-free look.

They are a versatile storage solution. Offered in three different sizes to suit your unique space and needs, they provide both functionality and a sleek, modern aesthetic. Whether you need a compact option or a larger one for more storage, our niches offer the perfect balance of style and practicality.

DIMENSIONS



FEATURES

- Durable lightweight 304 stainless steel.
- Pre-constructed & ready for installation.
- Waterproof and mold resistant.
- Designed to resist fingerprints, water spots and smudges.
- Add extra shelf space & a modern touch to any shower.

	Separation	Dimensions	Finish
AA-NI-RE-K-13X13-MB	No shelf	13" x 13" x 4"	Matte black
AA-NI-RE-K-13X13-BS	No shelf	13" x 13" x 4"	Brushed stainless steel
AA-NI-RE-K-13X13-PS	No shelf	13" x 13" x 4"	Polished stainless steel
AA-NI-RE-RC-13X25-MB	No shelf	13" x 25" x 4"	Matte black
AA-NI-RE-RC-13X25-BS	No shelf	13" x 25" x 4"	Brushed stainless steel
AA-NI-RE-RC-13X25-PS	No shelf	13" x 25" x 4"	Polished stainless steel
AA-NI-RE-RC-SHLF-13X25-MB	Central shelf	13" x 25" x 4"	Matte black
AA-NI-RE-RC-SHLF-13X25-BS	Central shelf	13" x 25" x 4"	Brushed stainless steel



All components are warranted to be free of defects in the manufacturing, material and workmanship.

EXCLUSIONS :

- Chemical alteration
- Transport or impact damage
- Opened or modified components
- Components altered by water quality or chemical products

The plated color of all apparent components are warranted for a period of 1 year from the date of purchase by the owner/end-user. This warranty expressly excludes deterioration caused by the quality of the water, chemical agents or use of abrasives.

There are certain brands of silicone that do not work in the application of components. We recommend neutral cure (non-acetic) silicone as the sealant of choice for most ABS and PVC applications.

This warranty does not apply to the bathtub and/or shower but solely to the components distributed by Alta Aqua Distribution Inc.

This warranty does not apply to the following incorrect operating procedures, breakage or damages caused by fault, abuse, misuse, carelessness, misapplication, alteration, modification, improper maintenance of the unit as well as act of God, fire, chemical or natural corrosion or any other casualty.

The Owner of the product covered by the present warranty is entirely responsible for the proper installation by a qualified technician of the product in accordance with the installation manual provided and local plumbing codes. Alta Aqua Distribution Inc. neither installs, nor supervises, nor contracts for the installation and consequently cannot be held responsible for the installation. Damage due to faulty installation are not covered by the warranty.

Alta Aqua Distribution Inc. is not liable for incidental or consequential damage, loss of time, inconvenience, incidental expenses, labour or material charges or any other costs related to the application of the present warranty or in connection with removal or replacement of equipment or fixtures on which the systems are installed.

Alta Aqua Distribution Inc. makes no express, no warranty for merchantability, no warranty of fitness for particular purposes, neither any other warranty implied or statutory for its products other than specified above.

Under no circumstances shall Alta Aqua Distribution Inc. liability exceed the purchase price of the component. The warranty applies solely for the replacement of the defective component. Does not include the cost of the repairman, transportation fees or any other collateral fees.

This warranty is to the original owner/end-user and is not transferable to a subsequent owner.

If within the terms of this warranty and after having received and inspected the defective parts, any such product should prove to be defective, Alta Aqua Distribution Inc. reserves the right to repair or replace the defective product with one of equal value.


Commercial use of a product will be covered by a 6 months limited warranty. Under no circumstances will Alta Aqua Distribution Inc. be responsible for any profit loss due to a malfunction of the unit.

This warranty gives the owner/end-user specific legal rights and the owner/end-user may have other rights which vary from one state/province to another. Alta Aqua Distribution Inc. reserves the right to discontinue and/or change models, colors and specifications in design together with replacement parts without notice and without incurring any obligations.



ALTA • AQUA

Sainte-Marie, QC, Canada, G6E 3B6
www.alta-aqua.com

 [alta.aqua.products](https://www.instagram.com/alta.aqua.products)